

General

Productgroup LF PowerOne SMD
Mounting type SMT
Material Brass lead-free (max. 0.1% Pb)
Surface tin
Customs tariff number
Country of origin Federal Republic of Germany
Weight per pieces ~ 0.003000 kg

Technical data

Terminal / Type Bolt / Metric
Thread/Diameter x Length 5.000 mm x 8.00 mm
Torque 2.20 Nm

Socket diameter 9.000 mm
Socket height 4.50 mm
Height total 12.50 mm

Processing

PCB thickness min. 1.00 mm
Recommendation Solder cream thickness 150 μ m
Notice

Current carrying capacity

Part (20°C) ~ / (85°C) ~ 125.000 A / 75.000 A

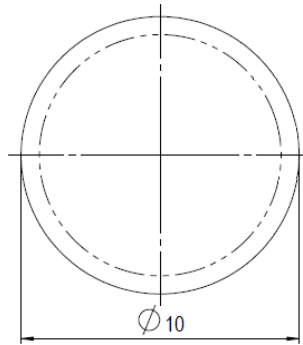
Usage and storage

Temperature -40°C up to +150°C
Storage dry environment protected from weather conditions
Storage conditions at +5°C up to +40°C, 75% RH, non-condensing

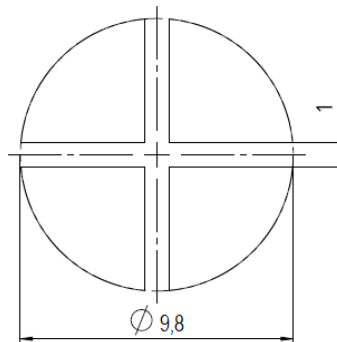
Packaging

packaging quantity 0.000 pcs

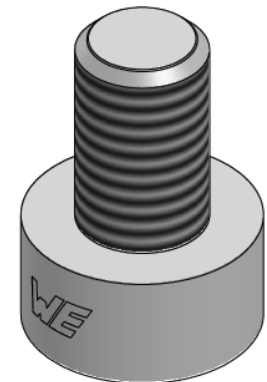
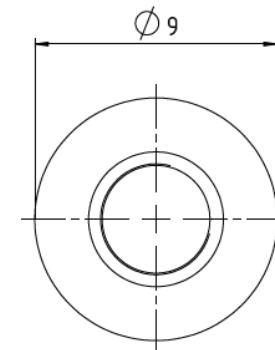
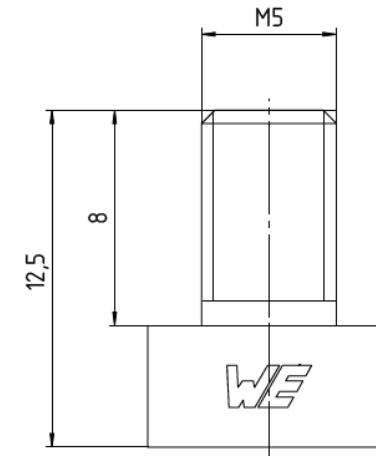
Solder pad recommendation



Stencil design recommendation



Dimensions



Würth Elektronik ICS GmbH & Co. KG
Würthstraße 1 74676 Niedernhall, Germany
P +49 7940 9810-4444 lf-powerelement@we-online.de
www.lf-powerelement.de

Observe protective note ISO 16016. Passing on or duplication without previous written agreement forbidden. Violations oblige to compensation. All rights reserved in the event of a patent or utility model protection. Subject to change without notice! Is NOT subject to change service!

General tolerances

DIN ISO 2768-mH

Projection mode



Revision	Date	All measures in
A	08.06.21	mm

Part no.

LF990005

Description

LF PowerOne SMD Bolt vertical

