

General

Productgroup LF PowerOne SMD
 Mounting type SMT
 Material Brass lead-free (max. 0.1% Pb)
 Surface tin
 Customs tariff number
 Country of origin Federal Republic of Germany
 Weight per pieces ~ 0.008450 kg

Technical data

Terminal / Type Bolt / Metric
 Thread/Diameter x Length 6.000 mm x 10.00 mm
 Torque 3.90 Nm

Socket diameter 13.000 mm
 Socket height 5.50 mm
 Height total 15.50 mm

Processing

PCB thickness min. 1.00 mm
 Recommendation Solder cream thickness 150 µm
 Notice

Current carrying capacity

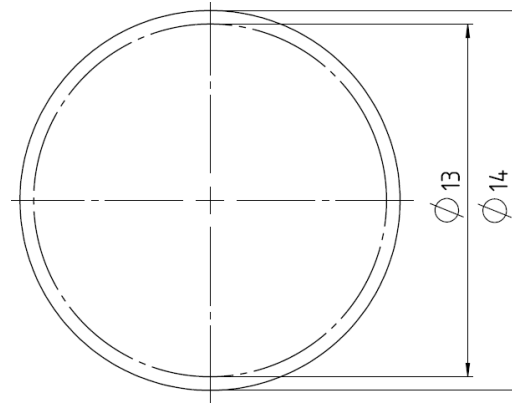
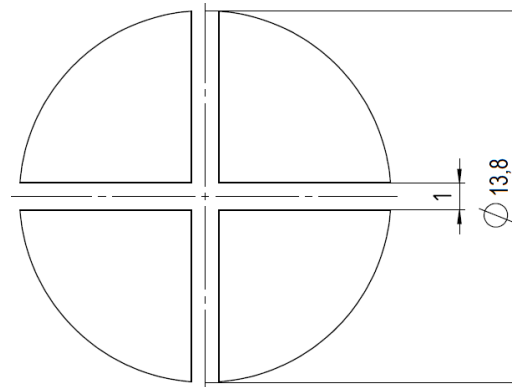
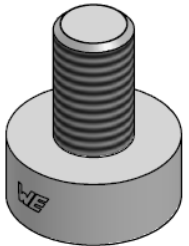
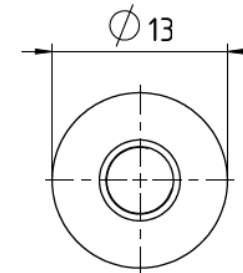
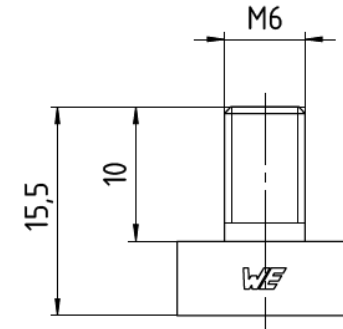
Part (20°C) ~ / (85°C) ~ 290.000 A / 174.000 A

Usage and storage

Temperature -40°C up to +150°C
 Storage dry environment protected from weather conditions
 Storage conditions at +5°C up to +40°C, 75% RH, non-condensing

Packaging

packaging quantity 0.000 pcs

Solder pad recommendation**Stencil design recommendation****Dimensions**

Würth Elektronik ICS GmbH & Co. KG
 Würthstraße 1 74676 Niedernhall, Germany
 P +49 7940 9810-4444 lf-powerelement@we-online.de
 www.lf-powerelement.de

Observe protective note ISO 16016. Passing on or duplication without previous written agreement forbidden. Violations oblige to compensation. All rights reserved in the event of a patent or utility model protection. Subject to change without notice! Is NOT subject to change service!

General tolerances

DIN ISO 2768-mH

Projection mode

Revision	Date	All measures in
A	20.07.21	mm

Part no.

LF990006

Description

LF PowerOne SMD Bolt vertical

