

General

Productgroup LF PowerTwo
Mounting type Solid Pressfit Techn
Material Brass lead-free (max. 0.1% Pb)
Surface tin
Customs tariff number
Country of origin Federal Republic of Germany
Weight per pieces ~ 0.005000 kg

Technical data

Terminal / Type Buchse Durchgang / Diameter
Diameter x Length 10.500 mm x 3.10 mm

Socket length x Socket width 16.000 mm x 16.00 mm
Socket height 3.10 mm
Socket rounded
Height total 6.60 mm
Height over pcb 3.10 mm
No. of Pins 20
Pin length 3.50 mm
Grid dimension X / Y 2.54 mm / 2.54 mm
Pin alignment Circumference with hole

Processing

Press in force 1200 N up to 5000 N
Retention force 60-80 % of press-in force
Press-in speed 100 mm/min. up to 250 mm/min.
PCB thickness 1.60 mm up to 3.20 mm
Notice

Current carrying capacity

Part (20°C) ~ / (85°C) ~ 300.000 A / 180.000 A

Usage and storage

Temperature -40°C up to +150°C
Storage dry environment protected from weather conditions
Storage conditions at +5°C up to +40°C, 75% RH, non-condensing

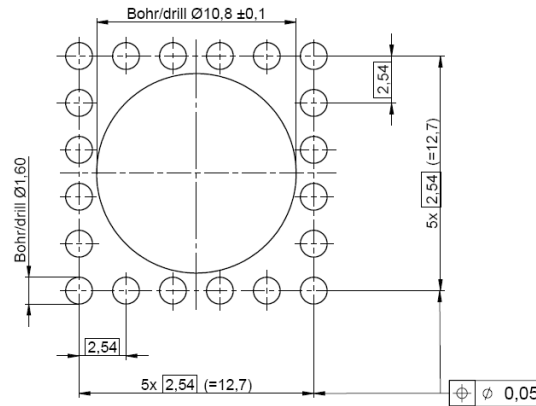
Packaging

packaging quantity 0.000 pcs

Accessories

Press in tool

Standard drill pattern



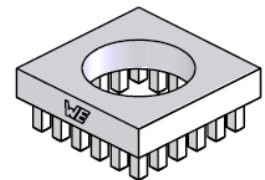
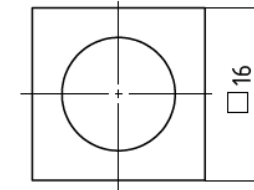
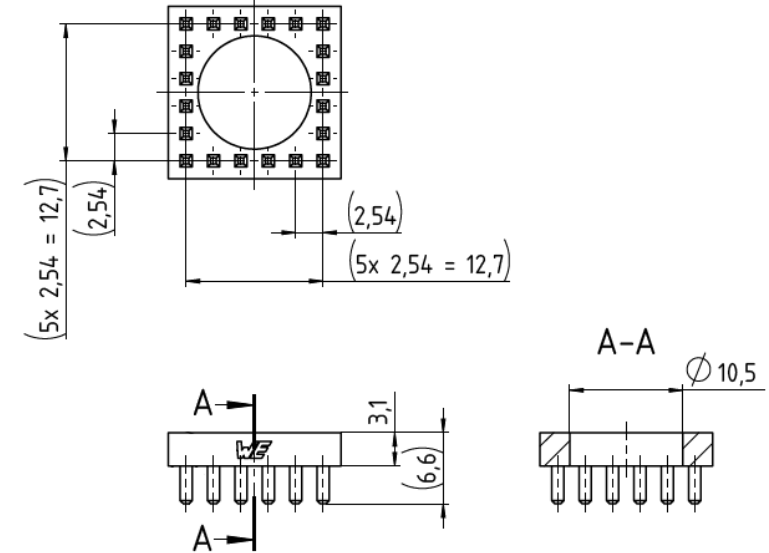
Drill hole specification for PCB

Drill Ø		drill tool	1,60 mm
		drill hole	1,60 mm - 0,025 mm
Cu		Cu - in Hole	Average 30 µm - 60 µm min. 25 µm, max. 80 µm *
End Ø		HAL	(1,450 mm +/- 0,05 mm)
		chem. surfaces	(1,475 mm +/- 0,05 mm)

Note: For Press-fit Technology drill diameter and copper thickness are fix. End Ø for reference only.

* single measurement points in microsection

Dimensions



Würth Elektronik ICS GmbH & Co. KG
Würthstraße1 74676 Niedernhall, Germany
P +49 7940 9810-4444 lf-powerelement@we-online.de
www.lf-powerelement.de

Observe protective note ISO 16016. Passing on or duplication without previous written agreement forbidden. Violations oblige to compensation. All rights reserved in the event of a patent or utility model protection. Subject to change without notice! Is NOT subject to change service!

Generaltolerances

DIN ISO 2768-mH

Projection mode



Revision	Date	All measures in
A	08.06.21	mm

Part no.

LF990205

Description

LF PowerTwo Basic Element

