

### General

Productgroup LF PowerOne  
Mounting type Solid Pressfit Techn  
Material Brass lead-free (max. 0.1% Pb)  
Surface tin  
Customs tariff number  
Country of origin Federal Republic of Germany  
Weight per pieces ~ 0.004000 kg

### Technical data

Terminal / Type Buchse Durchgang / Metric  
Thread/Diameter x Length 5.000 mm x 6.00 mm  
Torque 2.20 Nm

Socket length x Socket width 9.000 mm x 9.00 mm  
Socket height 6.00 mm  
Socket rounded no  
Height total 9.50 mm  
Height over pcb 6.00 mm  
No. of Pins 12  
Pin length 3.50 mm  
Grid dimension X / Y 2.54 mm / 2.54 mm  
Pin alignment Circumference with hole

### Processing

Press in force 720 N up to 3000 N  
Retention force 60-80 % of press-in force  
Press-in speed 100 mm/min. up to 250 mm/min.  
PCB thickness 1.60 mm up to 3.20 mm  
Notice

### Current carrying capacity

Part (20°C) ~ / (85°C) ~ 180.000 A / 108.000 A

### Usage and storage

Temperature -40°C up to +150°C  
Storage dry environment protected from weather conditions  
Storage conditions at +5°C up to +40°C, 75% RH, non-condensing

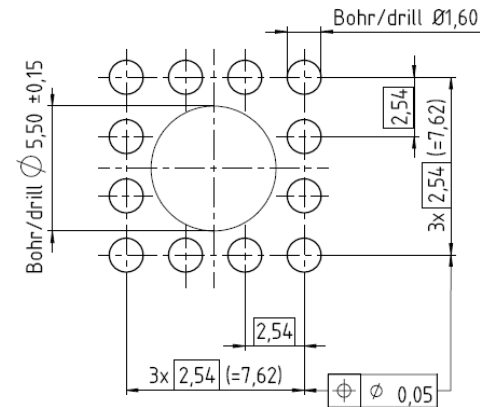
### Packaging

packaging quantity 0.000 pcs

### Accessories

Press in tool

### Standard drill pattern



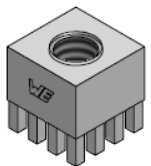
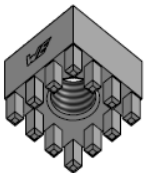
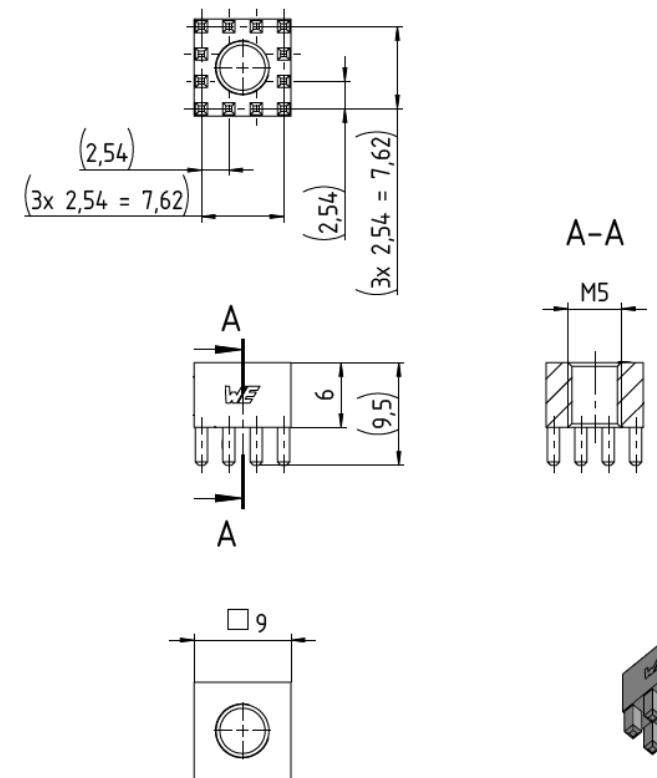
### Drill hole specification for PCB

Drill Ø		drill tool 1,60 mm drill hole 1,60 mm - 0,025 mm
Cu		Average 30 µm – 60 µm min. 25 µm, max. 80 µm *
End Ø		HAL (1,450 mm +/- 0,05 mm) chem. surfaces (1,475 mm +/- 0,05 mm)

Note: For Press-fit Technology drill diameter and copper thickness are fix. End Ø for reference only.

\* single measurement points in microsection

### Dimensions



Würth Elektronik ICS GmbH & Co. KG  
Würthstraße1 74676 Niedernhall, Germany  
P +49 7940 9810-4444 lf-powerelement@we-online.de  
www.lf-powerelement.de

Observe protective note ISO 16016. Passing on or duplication without previous written agreement forbidden. Violations oblige to compensation. All rights reserved in the event of a patent or utility model protection. Subject to change without notice! Is NOT subject to change service!

Generaltolerances

DIN ISO 2768-mH

Projection mode



Revision	Date	All measures in
A	08.06.21	mm

Part no.

**LF991105**

Description

**LF PowerOne Bush vertical through hole**

