

### General

Productgroup LF PowerTwo  
Mounting type Pressfit Techn  
Material Brass lead-free (max. 0.1% Pb)  
Surface tin  
Customs tariff number  
Country of origin Federal Republic of Germany  
Weight per pieces ~ 0.006000 kg

### Technical data

Terminal / Type Bolt / Metric  
Thread/Diameter x Length 5.000 mm x 8.00 mm  
Torque 2.20 Nm

Pressure plate length x width 13.000 mm x 13.00 mm  
Pressure plate height 2.00 mm  
Height total 16.40 mm  
Pin length 6.40 mm  
Pin alignment knurl  
Push in area for diameter 7.30 mm  
Push in length 3.50 mm up to 6.40 mm

### Processing

Notice

### Usage and storage

Temperature -40°C up to +150°C  
Storage dry environment protected from weather conditions  
Storage conditions at +5°C up to +40°C, 75% RH, non-condensing

### Packaging

packaging quantity 0.000 pcs

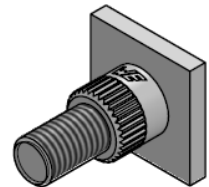
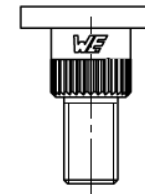
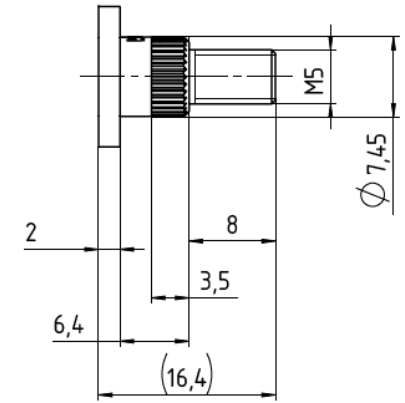
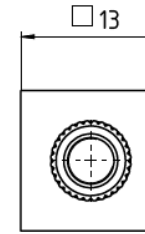
### Accessories

Press in tool

### Standard drill pattern

### Drill hole specification for PCB

### Dimensions



Würth Elektronik ICS GmbH & Co. KG  
Würthstraße 1 74676 Niedernhall, Germany  
P +49 7940 9810-4444 lf-powerelement@we-online.de  
www.lf-powerelement.de

Observe protective note ISO 16016. Passing on or duplication without previous written agreement forbidden. Violations oblige to compensation. All rights reserved in the event of a patent or utility model protection. Subject to change without notice! Is NOT subject to change service!

General tolerances

DIN ISO 2768-mH

Projection mode



Revision

Date

All measures in

B

08.06.21

mm

Part no.

**LF991205**

Description

**LF PowerTwo Push in Element Bolt**

